



ANNIVERSARY
1953 - 2018



Battioni®
Pagani

Setting the pace since 1953

Technical Catalogue
Catalogo Tecnico
Technischer Katalog

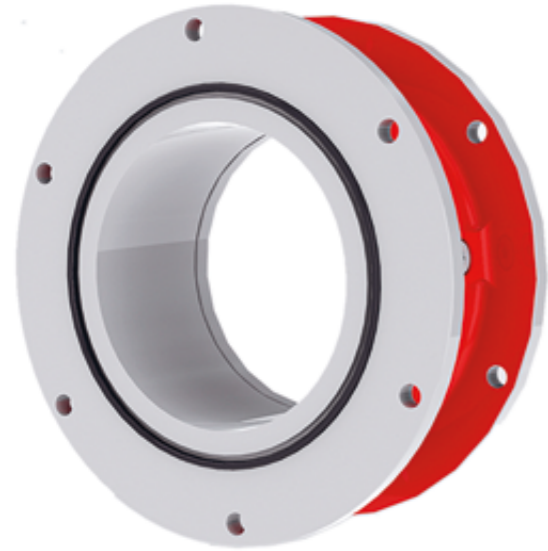
SWIVEL JOINT

Ø 100 - Ø 150 - Ø 200 - Ø 250



www.bapag.it

rev. 5 del 27/08/2018



FEATURES

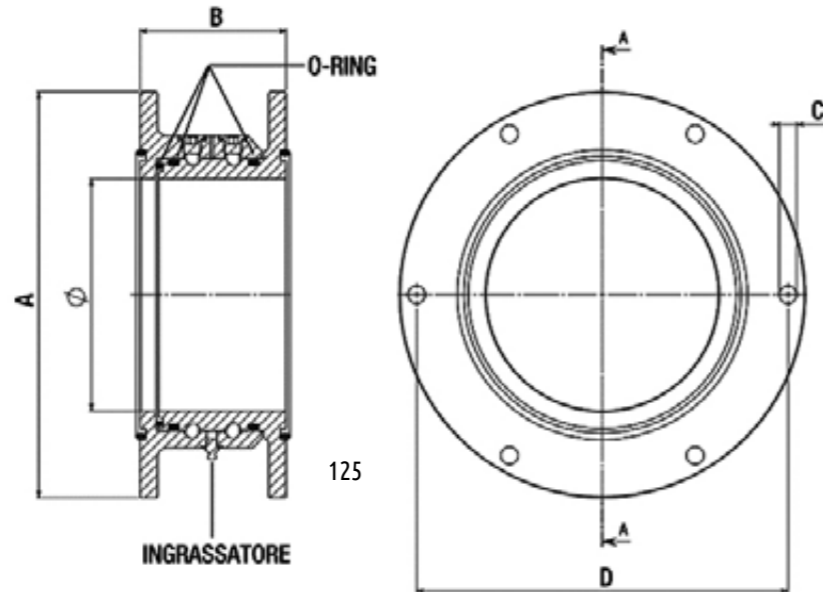
- WORKING CONDITIONS: PRESSURE = 6 bar (90 psi)
TEMPERATURE = -15°C / +80°C
- HIGH RESISTANCE SPHEROIDAL CAST-IRON
- SUPPLIED WITH 2 O-RINGS FOR COUPLING
- SEALING SECURED BY 3 O-RINGS
- EASY GREASING
- ROTATION OF 360°

CARATTERISTICHE

- CONDIZIONI DI ESERCIZIO: PRESSIONE = 6 bar (90 psi)
TEMPERATURA = -15°C / +80°C
- GHISA SFEROIDALE AD ALTA RESISTENZA
- FORNITURA CON 2 OR PER ACCOPIAMENTO
- TENUTA GARANTITA DA 3 OR
- INGRASSAGGIO AGEVOLE
- ROTAZIONE DI 360°

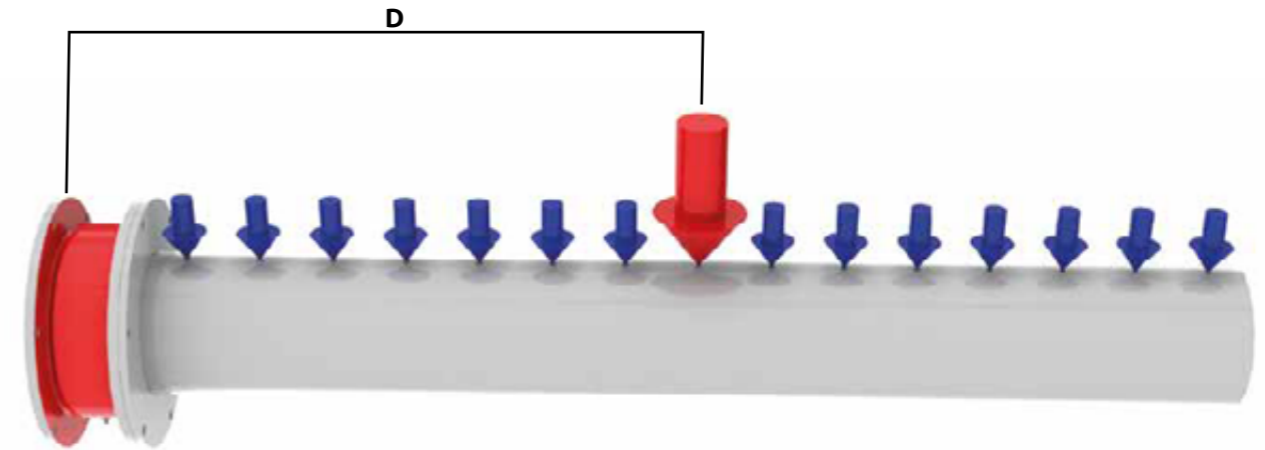
EIGENSCHAFTEN

- BETRIEBSBEDINGUNGEN: DRUCK = 6 bar (90 psi)
TEMPERATUR = -15°C / +80°C
- HOCH WIDERSTANDSFÄHIGES SPHÄROLITISCHES GUSSEISEN
- GELIEFERT MIT 2 O-RING FÜR ANSCHLUSS
- ABDICHTUNG MITHILFE VON 3 O-RINGEN GARANTIERT
- BEQUEMES SCHMIEREN
- DREHUNG UM 360°

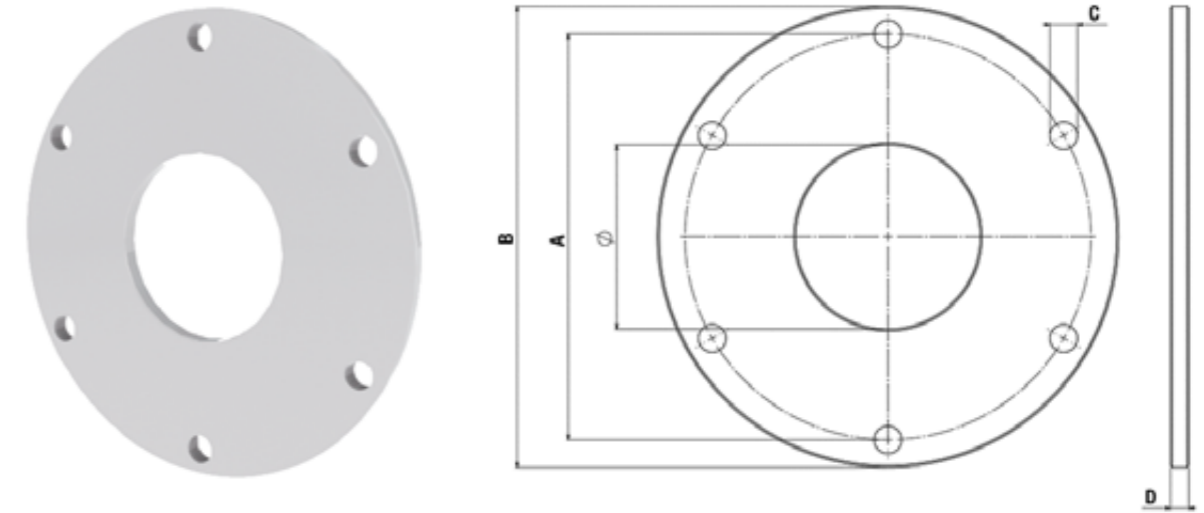


TECHNICAL DATA

CODE	Ø	A	B	C	D	N. Holes	Kg	Article
5100100001	100	250	125	15	220	6	16,4	2001/D
5100100002	150	290	125	15	260	6	21,5	2001/G
5100100003	200	350	125	15	320	6	28,7	2001/H
5100100004	250	410	125	15	370	8	36,0	2001/I
5100100005	300	475	125	18,5	431,5	12	45,6	2001/L



Ø 100		Ø 150		Ø 200		Ø 250		Ø 300	
Distance (m)	Max load (Kg)	Distance (m)	Max load (Kg)	Distance (m)	Max load (Kg)	Distance (m)	Max load (Kg)	Distance (m)	Max load (Kg)
1,0	140	1,0	200	1,0	270	1,0	320	1,0	380
2,0	75	2,0	100	2,0	140	2,0	165	2,0	200
3,0	50	3,0	70	3,0	93	3,0	111	3,0	136
4,0	38	4,0	53	4,0	70	4,0	84	4,0	104
5,0	31	5,0	42	5,0	56	5,0	67	5,0	83



CODE	Ø	A	B	C	D	N. Holes	Kg	Article
5010401001	100	220	250	15	10	6	2,6	2002/E
5010401002	150	260	290	15	10	6	3,6	2002/G
5010401003	200	320	350	15	10	6	4,8	2002/H
5010401004	250	370	410	15	10	8	7,0	2002/I
5010401025	300	431,5	475	18,5	15	12	10,8	2002/L



**Battioni®
Pagani**

Setting the pace since 1953



Battioni Pagani Pompe S.p.A.

Via Cav. Enzo Ferrari, 2
43058 Ramoscello di Sorbolo (PR) - Italy

Ph. +39 0521 663203

Fax +39 0521 663206

www.bapag.it
info@bapag.it

