

# SWIVEL JOINT

GIUNTO GIREVOLE  
DREHBARE KUPPLUNG



## FEATURES

- WORKING CONDITIONS: PRESSURE = 6 bar (90 psi)  
TEMPERATURE = -15°C / +80°C

- HIGH RESISTANCE SPHEROIDAL CAST-IRON
- SUPPLIED WITH 2 O-RINGS FOR COUPLING
- SEALING SECURED BY 3 O-RINGS
- EASY GREASING
- ROTATION OF 360°

## CARATTERISTICHE

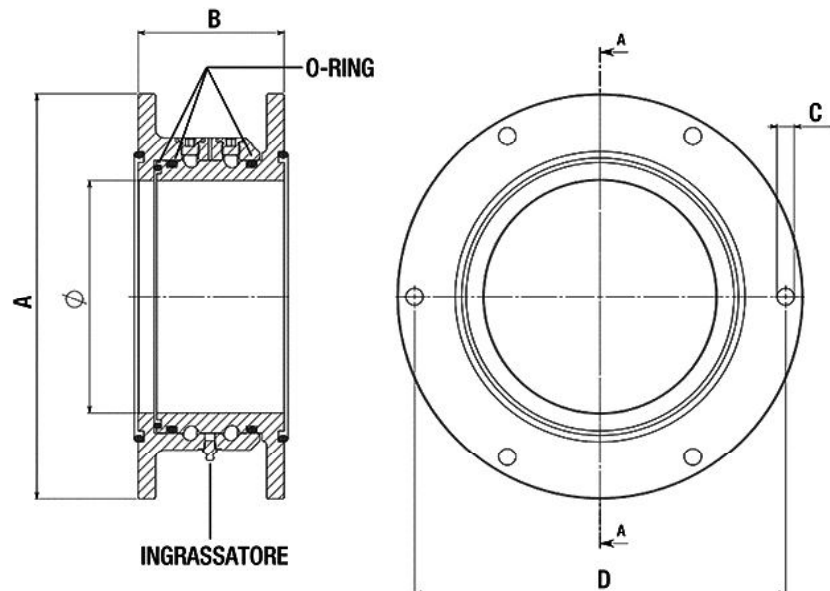
- CONDIZIONI DI ESERCIZIO: PRESSIONE = 6 bar (90 psi)  
TEMPERATURA = -15°C / +80°C

- GHISA SFEROIDALE AD ALTA RESISTENZA
- FORNITURA CON 2 OR PER ACCOPPIAMENTO
- TENUTA GARANTITA DA 3 OR
- INGRASSAGGIO AGEVOLE
- ROTAZIONE DI 360°

## EIGENSCHAFTEN

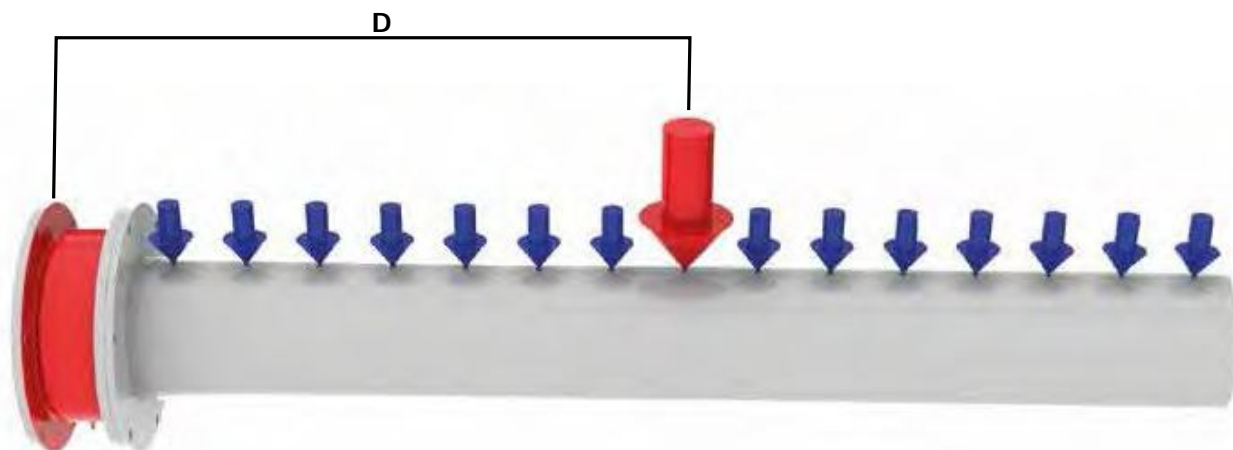
- BETRIEBSBEDINGUNGEN: DRUCK = 6 bar (90 psi)  
TEMPERATUR = -15°C / +80°C

- HOCH WIDERSTANDSFÄHIGES SPHÄROLITISCHES GUSSEISEN
- GELIEFERT MIT 2 O-RING FÜR ANSCHLUSS
- ABDICHTUNG MITHILFE VON 3 O-RINGEN GARANTIERT
- BEQUEMES SCHMIEREN
- DREHUNG UM 360°

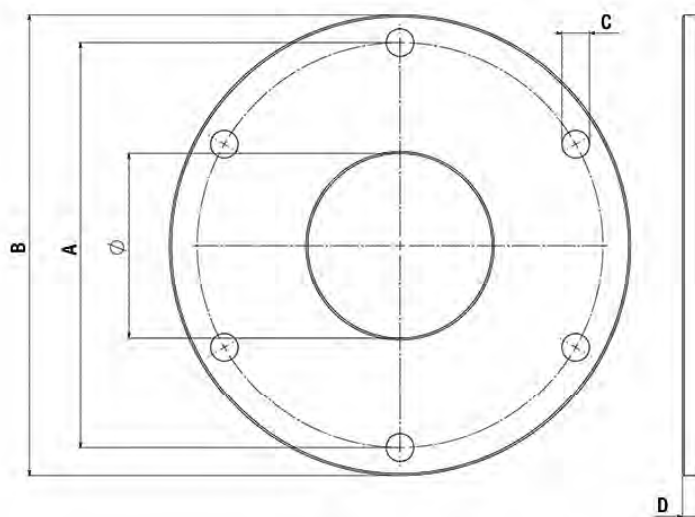


## TECHNICAL DATA

CODE	Ø	A	B	C	D	N. Holes	Kg	Article
5100100001	100	250	127	15	220	6	16,4	2001/D
5100100002	150	290	127	15	260	6	21,5	2001/G
5100100003	200	350	127	15	320	6	28,2	2001/H
5100100004	250	410	127	15	370	8	37,0	2001/I



Ø 100		Ø 150		Ø 200		Ø 250	
Distance (m)	Max load (Kg)	Distance (m)	Max load (Kg)	Distance (m)	Max load (Kg)	Distance (m)	Max load (Kg)
1,0	140	1,0	200	1,0	270	1,0	320
2,0	75	2,0	100	2,0	140	2,0	165
3,0	50	3,0	70	3,0	93	3,0	111
4,0	38	4,0	53	4,0	70	4,0	84
5,0	31	5,0	42	5,0	56	5,0	67



CODE	Ø	A	B	C	D	N. Holes	Kg	Article
5010401001	100	220	250	15	10	6	2,6	2002/E
5010401002	150	260	290	15	10	6	3,6	2002/G
5010401003	200	320	350	15	10	6	4,8	2002/H
5010401004	250	370	410	15	10	8	7,0	2002/I