



## 3/4 - WAY VALVE WITH PNEUMATIC REVOLVING CYLINDER

### FEATURES

- WORKING CONDITIONS: PRESSURE = 6 BAR (90 PSI)  
TEMPERATURE = -15°C / +80°C
- EASY GREASING

- NOMINAL VALUES PNEUMATIC REVOLVING HOUSING PLUS:**
- PRESSURE RATING MAX 8.4 BAR
  - TEMPERATURE RANGE -20°C TO +85°C
  - FOR STANDARD VERSION (NBR)

### CARATTERISTICHE

- CONDIZIONI DI ESERCIZIO:  
PRESSIONE = 6 BAR (90 PSI)  
TEMPERATURA = -15°C / +80°C

- INGRASSAGGIO AGEVOLE

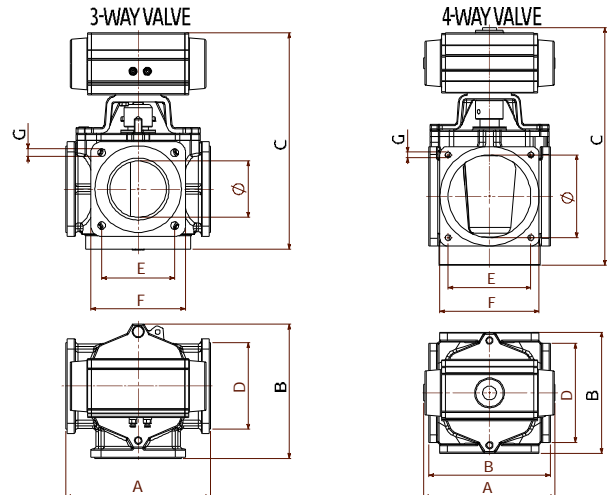
- VALORI NOMINALI CILINDRO ROTATIVO PNEUMATICO PLUS:
- PRESSIONE MASSIMA UTILIZZO 8.4 BAR
  - TEMPERATURA DA -20°C A +85°C
  - PER LA VERSIONE STANDARD (NBR)

### EIGENSCHAFTEN

- BETRIEBSBEDINGUNGEN:  
DRUCK = 6 BAR (90 PSI)  
TEMPERATUR = -15°C / +80°C

- BEQUEMES SCHMIEREN

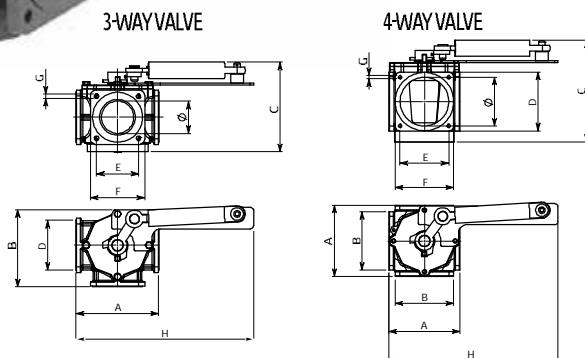
- NENNWERTE DRUCKLUFTBETRIEBENER DREHZYLINDER PLUS:
- MAXIMALER BETRIEBSDRUCK 8.4 BAR
  - TEMPERATUR VON -20°C BIS +85°C
  - FÜR STANDARD AUSFÜHRUNG (NBR)



## TECHNICAL DATA - OVERALL DIMENSIONS

	CODE	Ø (inch)	A (mm)	B (mm)	C (mm)	D (mm)	E (mm)	F (mm)	G (mm)	HYDRAULIC DIAMETER	Kg	TORQUE OUTPUT 8 BAR	ARTICLE
3-WAY VALVE	6080200109	4" plus	252	234	379	151	127	165	13	100	30,8	129 Nm	5003/E
3-WAY VALVE	6080200110	6" plus	305	303	404	180	150	180	13	152	48,8	129 Nm	5003/G
4-WAY VALVE	6080200111	6" plus	250	220	422	180	150	180	M12	112	42	129 Nm	5004/G

## 3/4 - WAY VALVE WITH HYDRAULIC CYLINDER



### FEATURES

- WORKING CONDITIONS: PRESSURE = 6 BAR (90 PSI)  
TEMPERATURE = -15°C / +80°C
  - EASY GREASING
- NOMINAL VALUES HYDRAULIC CYLINDER:**
- RANGE OIL TEMPERATURE - 30°C + 80°C
  - MAX WORKING PRESSURE HYDRAULIC 150 BAR (2175 PSI)

### CARATTERISTICHE

- CONDIZIONI DI ESERCIZIO: PRESSIONE = 6 BAR (90 PSI)  
TEMPERATURA = -15°C / +80°C
  - INGRASSAGGIO AGEVOLE
- VALORI NOMINALI CILINDRO IDRAULICO:
- TEMPERATURA AMMISSIBILE DELL'OLIO - 30°C + 80°C
  - PRESSIONE MASSIMA CILINDRO IDRAULICO 150 BAR (2175 PSI)

### EIGENSCHAFTEN

- BETRIEBSBEDINGUNGEN: DRUCK = 6 BAR (90 PSI)  
TEMPERATUR = -15°C / +80°C
  - BEQUEMES SCHMIEREN
- NENNWERTE HYDRAULIKZYLINDER:
- ZULÄSSIG ÖLTEMPERATUR - 30°C + 80°C
  - MAXIMALER DRUCK HYDRAULIKZYLINDER 150 BAR (2175 PSI)

## TECHNICAL DATA - OVERALL DIMENSIONS

	CODE	Ø (inch)	A (mm)	B (mm)	C (mm)	D (mm)	E (mm)	F (mm)	G (mm)	H (mm)	HYDRAULIC DIAMETER	Kg	ARTICLE
3-WAY VALVE	6080200166	4"	252	234	272	151	127	165	13	535	100	33	2506/E
3-WAY VALVE	6080200167	6"	305	303	300	180	150	180	13	580	152	45	2506/G
4-WAY VALVE	6080200168	6"	220	180	315	180	150	180	M12	520	112	44,2	2508/G