

3/4 - WAY VALVES

RUBINETTI 3/4 VIE
3/4 - WEGE HÄHNE

3/4 - WAY VALVE WITH LEVER



FEATURES

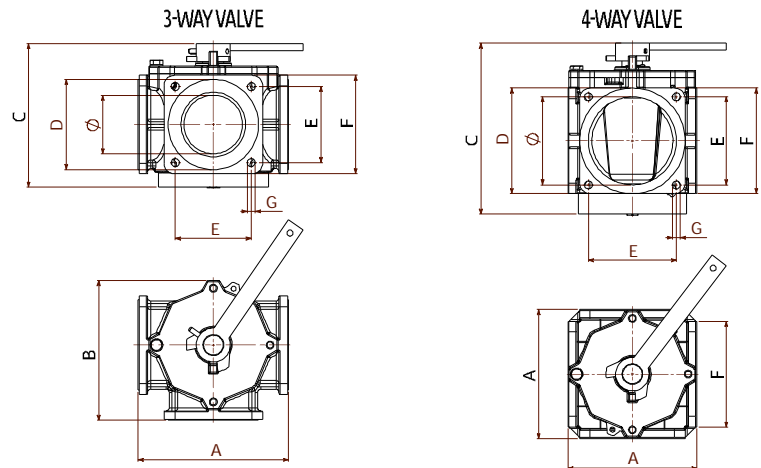
- WORKING CONDITIONS: PRESSURE = 6 BAR (90 PSI)
TEMPERATURE = -15° C / +80° C
- EASY GREASING

CARATTERISTICHE

- CONDIZIONI DI ESERCIZIO : PRESSIONE = 6 BAR (90 PSI)
TEMPERATURA = -15° C / +80° C
- INGRASSAGGIO AGEVOLE

EIGENSCHAFTEN

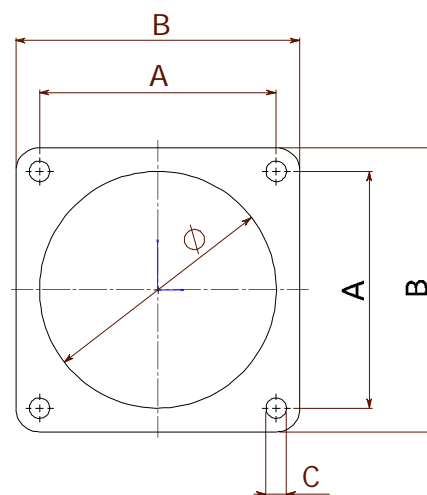
- BETRIEBSBEDINGUNGEN : DRUCK = 6 BAR (90 PSI)
TEMPERATUR = -15° C / +80° C
- BEQUEMES SCHMIEREN



TECHNICAL DATA - OVERALL DIMENSIONS

	CODE	Ø (inch)	A (mm)	B (mm)	C (mm)	D (mm)	E (mm)	F (mm)	G (mm)	HYDRAULIC DIAMETER	Kg	ARTICLE
3-WAY VALVE	6080200031	4"	252	234	240	151	127	165	13	100	30,8	2501/E
3-WAY VALVE	6080200033	6"	305	303	265	180	150	180	13	152	42,8	2501/G
4-WAY VALVE	6080200043	6"	220	-	283	180	150	180	M12	112	36	2503/G

COUPLING FLANGE



CODE	DN	Ø	A	B	C	N. HOLES	THICKNESS	Kg	Article
4010407015	3 vie 4"	100	127	165	13	4	10	2,5	2006/E
4010401038	3 - 4 vie 6"	150	150	180	13	4	10	3,7	2006/G