

LOCKER - LOCKER **BiDi**

Ø 100 - Ø 150 - Ø 200 - Ø 250 - Ø 300

Technical catalogue

Catalogo tecnico

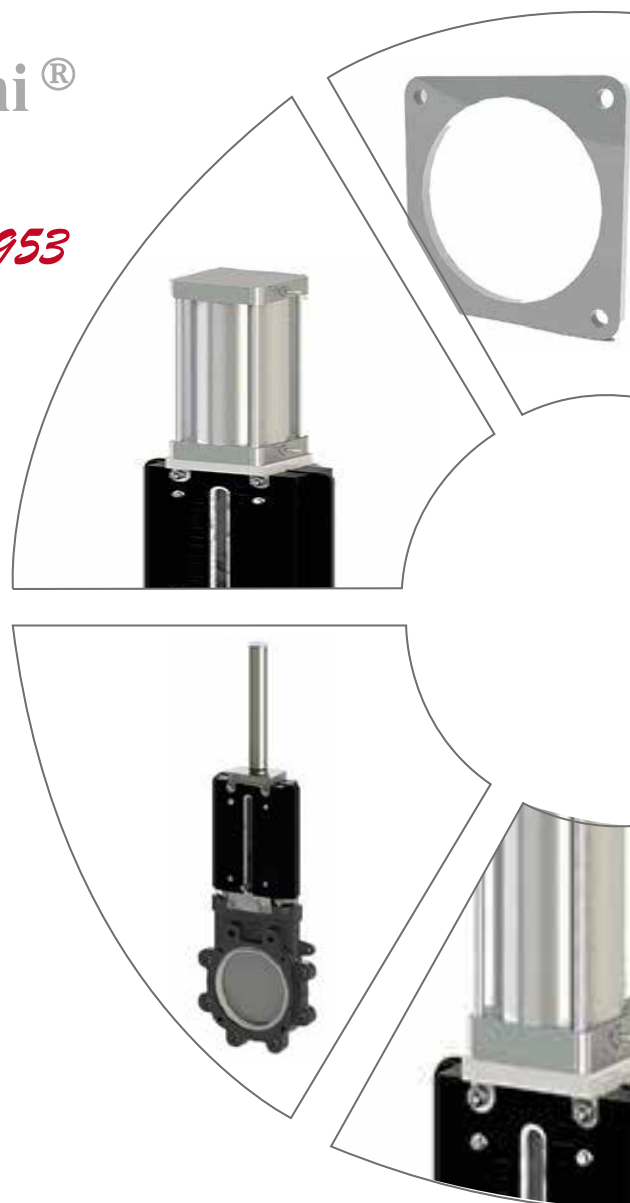
Technischer Katalog



Battioni®

Pagani

Setting the pace since 1953



LOCKER



**Battioni®
Pagani**

Setting the pace since 1953

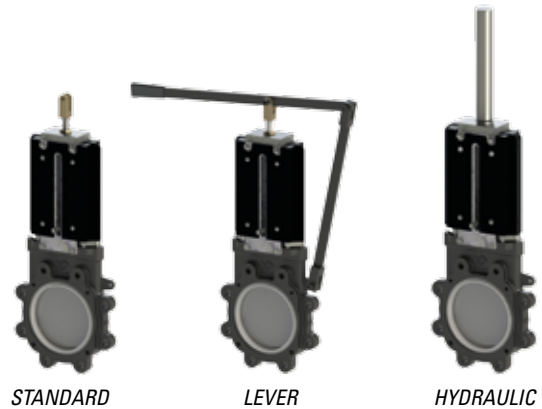
LOCKER

Unidirectional knife gate valve designed for:

- General industrial service application
- Liquid manure service application
- Biogas industry
- Waste water treatment plants
- Agricultural tankers or vacuum trucks

Locker gate valves conform to:

- UNI EN ISO 12100:2010
- DIR: 2006/42 CE
- DIR: 97/23 CE



STANDARD

LEVER

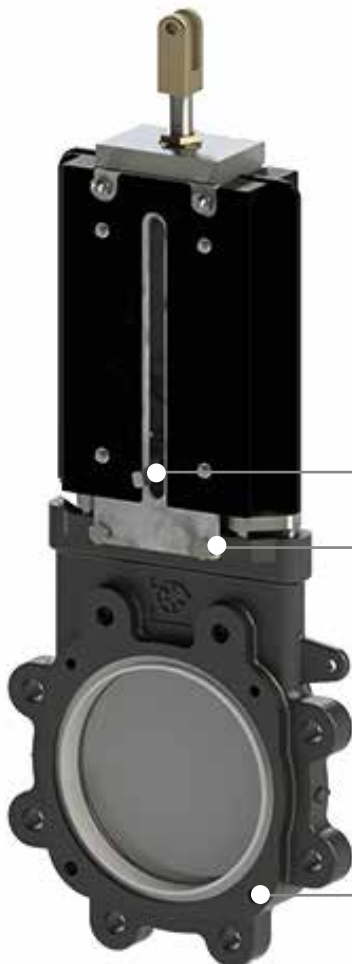
HYDRAULIC



PRESSURE



LOCKER					
SIZE DN	Ø 100 (4")	Ø 150 (6")	Ø 200 (8")	Ø 250 (10")	Ø 300 (12")
MAX PRESSURE	10 bar	10 bar	10 bar	8 bar	7 bar
MAX FLUID TEMPERATURE	-20 °C / +90 °C	-20 °C / +90 °C	-20 °C / +90 °C	-20 °C / +90 °C	-20 °C / +90 °C



- KNIFE GATE VALVE OPEN/CLOSED INDICATOR

- INDICATORE APERTURA/CHIUSURA SARACINESCA

- ANZEIGE FÜR SCHIEBERVENTIL GEÖFFNET/GESCHLOSSEN

- TOP SEALING SYSTEM WITH GRAPHITE ROPES AND RUBBER SEALING

- SISTEMA DI TENUTA SUPERIORE IN CORDA GRAFITATA E ANELLO IN GOMMA

- OBERES DICHTUNGSSYSTEM AUS SEIL MIT GRAPHITZUSATZ UNO GUMMING

- GATE HOUSING IN ONE-PIECE CASTING

- CORPO IN GHISA IN FUSIONE UNICA

- KORPUS AUS GUSSEINSEN (EINEM GUSS)

- ANTICORODAL CORD HOLDER WHICH AVOIDS OXIDATION EVEN WITH SLURRY

- PREMICORDA IN ANTICORODAL ANTI OSSIDAZIONE ANCHE A CONTATTO CON LIQUAMI

- SEILHALTESTUCK AUS ANTICORODAL OXIDATIONSBESTÄNDIG AUCH BEIM KONTAKT MIT GOLLE



- ANTI-CUTTING SEAL RING

- ANELLO DI TENUTA IN GOMMA ANTITAGLIO

- DICHTUNGSRING AUS SCHNITTFESTEM GUMMI

- STAINLESS STEEL AISI 304 GATE

- CUNEO SARACINESCA IN ACCIAIO INOX AISI 304

- CUNEO SCHIEBERVENTIL AUS ROSTFREIEM STAHL INOX AISI 304



**Battioni®
Pagani**

Setting the pace since 1953

LOCKER BiDi



PNEUMATIC

COMPACT PNEUMATIC



LOCKER BiDi

Bi-directional knife gate valve designed for:

- General industrial service application
- Liquid manure service application
- Biogas industry
- Waste water treatment plants
- Agricultural tankers or vacuum trucks

Locker gate valves conform to:

- UNI EN ISO 12100:2010
- DIR: 2006/42 CE
- DIR: 97/23 CE

NEW



LOCKER BiDi					
SIZE DN	Ø 100 (4")	Ø 150 (6")	Ø 200 (8")	Ø 250 (10")	Ø 300 (12")
MAX PRESSURE	10 bar	10 bar	10 bar	8 bar	7 bar
MAX FLUID TEMPERATURE	-20 °C/+90 °C	-20 °C/+90 °C	-20 °C/+90 °C	-20 °C/+90 °C	-20 °C/+90 °C

- ANTICORODAL CORD HOLDER WHICH AVOIDS OXIDATION EVEN WITH SLURRY

- PREMICORDA IN ANTICORODAL ANTI OSSIDAZIONE ANCHE A CONTATTO CON LIQUAMI
- SEILHALTESTUCK AUS ANTICORODAL OXIDATIONSBESTÄNDIG AUCH BEIM KONTAKT MIT GOLLE



- KNIFE GATE VALVE OPEN/CLOSED INDICATOR

- INDICATORE APERTURA/CHIUSURA SARACINESCA
- ANZEIGE FÜR SCHIEBERVENTIL GEÖFFNET/GESCHLOSSEN

- TOP SEALING SYSTEM WITH GRAPHITE ROPES AND RUBBER SEALING

- SISTEMA DI TENUTA SUPERIORE IN CORDA GRAFITATA E ANELLO IN GOMMA
- OBERES DICHTUNGSSYSTEM AUS SEIL MIT GRAPHITZUSATZ UNO GUMMIRING

- ANTI-CUTTING SEAL RING

- ANELLO DI TENUTA IN GOMMA ANTITAGLIO
- DICHTUNGSRING AUS SCHNITTFESTEM GUMMI

- STAINLESS STEEL AISI 304 GATE

- CUNEO SARACINESCA IN ACCIAIO INOX AISI 304
- CUNEO SCHIEBERVENTIL AUS ROSTFREIEM STAHL INOX AISI 304

- GATE HOUSING IN ONE-PIECE CASTING

- CORPO IN GHISA IN FUSIONE UNICA
- KORPUS AUS GUSSEISEN (EINEM GUSS)



LOCKER - LOCKER BiDi KNIFE GATE VALVE

SARACINESCA LOCKER - LOCKER BiDi

KOLBENSCHIEBER LOCKER - LOCKER BiDi HEBELKOLBENSCHIEBER



Battioni®
Pagani

Setting the pace since 1953

LOCKER FLUSHING KIT



NEW

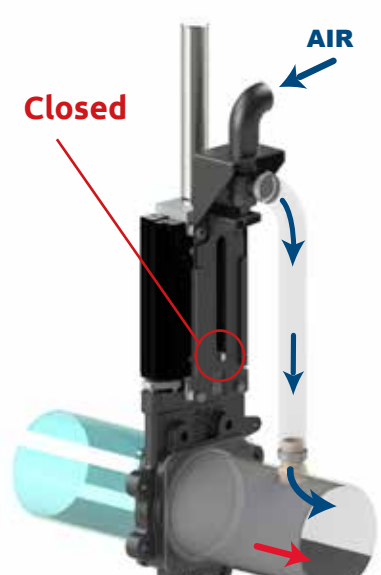
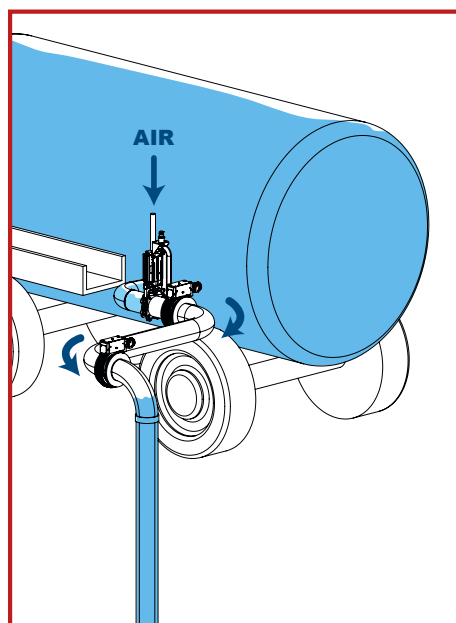
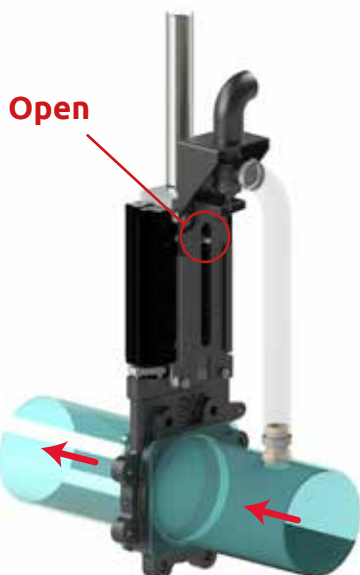
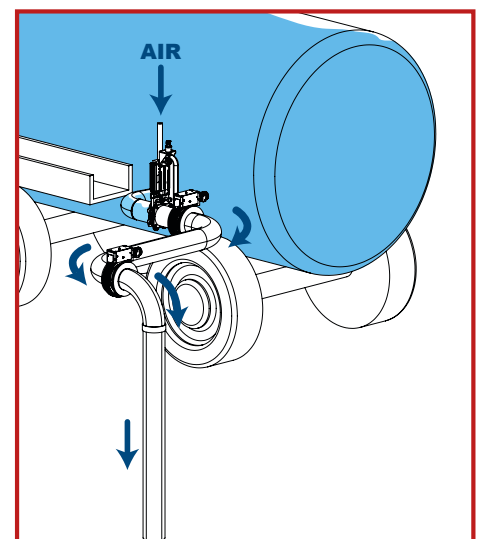
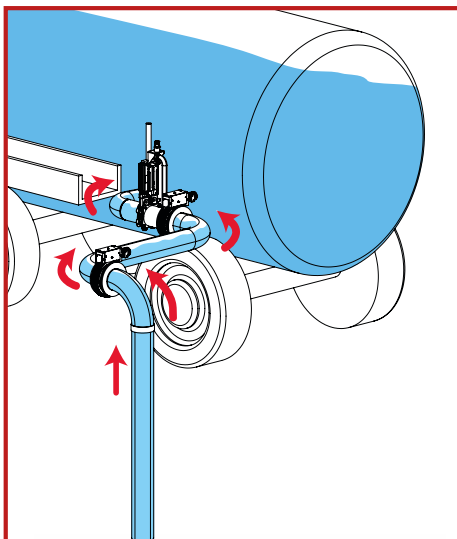
The Locker Flushing Kit gives the operator the possibility to empty the arm at the end of the tank filling, with a simple automatic mechanical drive.

This allows to raise the tube completely empty, without any operator intervention.

Locker Flushing kit serve per dare la possibilità all'operatore di svuotare il braccio a fine riempimento cisterna con un semplice azionamento meccanico automatico. Ciò permette di alzare il tubo completamente vuoto senza nessun intervento da parte dell'operatore.

Locker Flushing kit gibt die Möglichkeit zu dem Verwender den Arm am Ende der Füllung von Tank mit einer einfacher automatischer mekanischer Betreibung zu leeren.

Das erlaubt den Schlauch ganz leer zu heben ohne Intervention des Verwender.





LOCKER - LOCKER BiDi KNIFE GATE VALVE

SARACINESCA LOCKER - LOCKER BiDi

KOLBENSCHIEBER LOCKER - LOCKER BiDi HEBELKOLBENSCHIEBER

LIMIT SWITCH KIT



Limit switches with lever:

Contacts configuration: 1NO + 1NC
voltage: 24V DC

Nominal Power: 2A

Operating temperature: -25° C / +80° C

Degree of protection: IP67 EN 60529

Cable entries: M12

Interruttore a leva:

Configurazione contatti: 1NO + 1NC

Tensione: 24V DC

Potenza nominale: 2A

Temperatura di esercizio: -25° C / +80° C

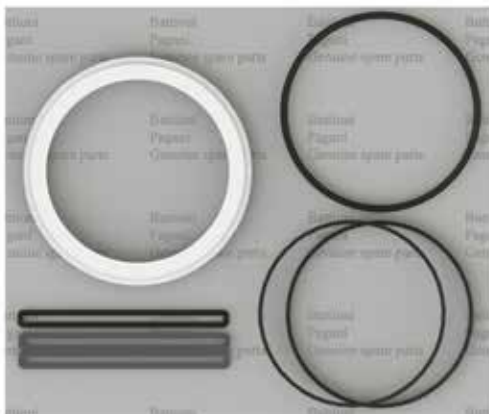
Grado di protezione: IP67 EN 60529

Ingresso cavi: M12

SQUARED COUPLING FLANGE



LOCKER SEALING KIT



CODE	DN	MODEL	Ø (mm)	Kg	ARTICLE
6080200358	-	LIMIT SWITCH KIT	-	0,15	340
6080200357	6"	LOCKER Ø 150 FLUSHING KIT	150	3,5	341/B
6080200356	8"	LOCKER Ø 200 FLUSHING KIT	200	4,2	341/C
6080200355	10"	LOCKER Ø 250 FLUSHING KIT	250	5	341/D
5010406003	6"	SQUARED COUPLING FLANGE	150	0,8	316/G
5010406004	8"	SQUARED COUPLING FLANGE	200	1,3	316/H
6080200279	4"	LOCKER Ø 100 SEALING KIT	100	0,30	-
6080200280	6"	LOCKER Ø 150 SEALING KIT	150	0,45	-
6080200281	8"	LOCKER Ø 200 SEALING KIT	200	0,60	-
6080200282	10"	LOCKER Ø 250 SEALING KIT	250	0,90	-
6080200283	12"	LOCKER Ø 300 SEALING KIT	300	1	-
6080200350	4"	LOCKER BiDi Ø 100 SEALING KIT	100	0,48	-
6080200351	6"	LOCKER BiDi Ø 150 SEALING KIT	150	0,70	-
6080200352	8"	LOCKER BiDi Ø 200 SEALING KIT	200	1,10	-
6080200353	10"	LOCKER BiDi Ø 250 SEALING KIT	250	1,60	-
6080200354	12"	LOCKER BiDi Ø 300 SEALING KIT	300	1,80	-

LOCKER - LOCKER BiDi KNIFE GATE VALVE

SARACINESCA LOCKER - LOCKER BiDi

KOLBENSCHIEBER LOCKER - LOCKER BiDi HEBELKOLBENSCHIEBER



Battioni®

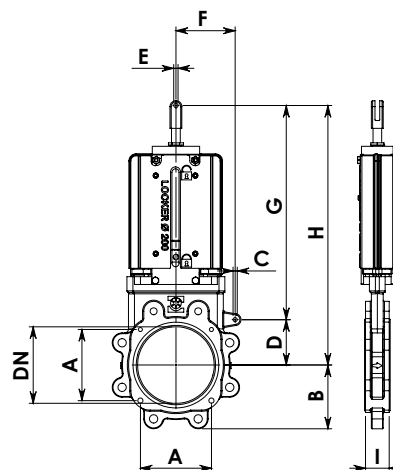
Pagani

Setting the pace since 1953

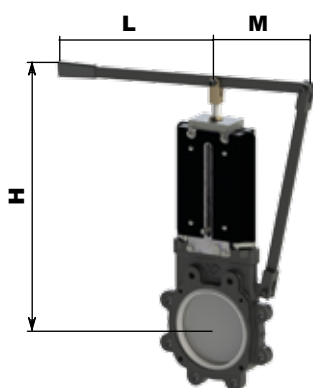
OVERALL DIMENSIONS



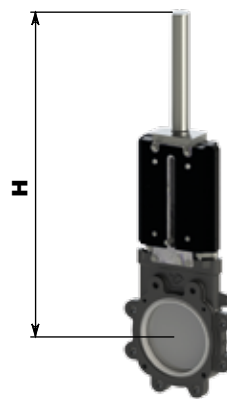
STANDARD



STANDARD	DIN PN 10 UNI EN 1092-1	ANSI 150	DN	A	B	C	D	E	F	G	H	I	Kg
LOCKER Ø 100	6080200239	6080200248	4"	150	105	Ø10.5	115	Ø10.5	100	375	490	60	16
LOCKER Ø 150	6080200125	6080200229	6"	150	130	Ø10.5	90	Ø10.5	120	450	580	60	19
LOCKER Ø 200	6080200131	6080200233	8"	180	160	Ø10.5	115	Ø10.5	150	505	665	60	27
LOCKER Ø 250	6080200240	6080200249	10"	-	195	-	150	Ø10.5	180	590	785	62	45
LOCKER Ø 300	6080200241	6080200250	12"	-	220	-	180	Ø10.5	220	700	880	62	54
LOCKER BiDi Ø 100	6080200334	-	4"	150	105	Ø10.5	115	Ø10.5	100	375	490	60	16
LOCKER BiDi Ø 150	6080200335	-	6"	150	130	Ø10.5	90	Ø10.5	120	450	580	60	19
LOCKER BiDi Ø 200	6080200336	-	8"	180	160	Ø10.5	115	Ø10.5	150	505	665	60	27
LOCKER BiDi Ø 250	6080200337	-	10"	-	195	-	150	Ø10.5	180	590	785	62	45
LOCKER BiDi Ø 300	6080200338	-	12"	-	220	-	180	Ø10.5	220	700	880	62	54



LEVER



HYDRAULIC

NOMINAL VALUES HYDRAULIC CYLINDER:

- hydraulic cylinder operating pressure 90±180 bar
- consented temperature of the oil from -30°C to +80°C

VALORI NOMINALI CILINDRO IDRAULICO:

- pressione di utilizzo cilindro idraulico 90±180 bar
- temperatura ammissibile dell'olio da -30°C a +80°C

NENNWERTE HYDRAULIKZYLINDER:

- Betriebsdruck Hydraulikzylinder 90-180 bar
- zulässige Öltemperatur -30°C bis +80°C

LEVER	DIN PN 10 UNI EN 1092-1	ANSI 150	H	L	M	Kg
LOCKER Ø 100	6080200264	6080200268	535	465	270	18
LOCKER Ø 150	6080200134	6080200230	575	465	270	21
LOCKER Ø 200	6080200135	6080200234	860	465	270	29

HYDRAULIC	DIN PN 10 UNI EN 1092-1	ANSI 150	H	Kg
LOCKER Ø 100	6080200242	6080200251	610	17
LOCKER Ø 150	6080200136	6080200231	800	20
LOCKER Ø 200	6080200137	6080200235	885	28
LOCKER Ø 250	6080200243	6080200252	1100	46
LOCKER Ø 300	6080200244	6080200253	1200	55
LOCKER BiDi Ø 100	6080200339	-	610	17
LOCKER BiDi Ø 150	6080200340	-	800	20
LOCKER BiDi Ø 200	6080200341	-	885	28
LOCKER BiDi Ø 250	6080200342	-	1100	46
LOCKER BiDi Ø 300	6080200343	-	1200	55



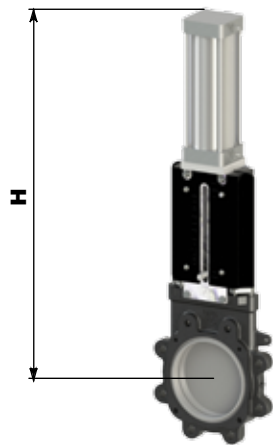
**Battioni®
Pagani**

Setting the pace since 1953

LOCKER - LOCKER BiDi KNIFE GATE VALVE

SARACINESCA LOCKER - LOCKER BiDi

KOLBENSCHIEBER LOCKER - LOCKER BiDi HEBELKOLBENSCHIEBER



PNEUMATIC

NOMINAL VALUES PNEUMATIC CYLINDER:

- OPERATING PRESSURE FROM 3,5 ÷ 10 BAR
- temperature from -20°C to +85°C

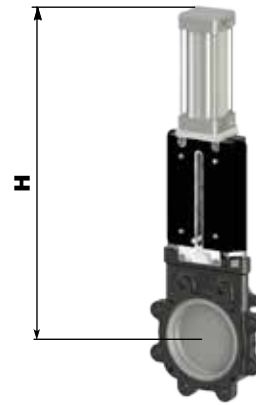
VALORI NOMINALI

CILINDRO PNEUMATICO:

- pressione di utilizzo da 3,5 ÷ 10 bar
- temperatura da -20°C a +85°C

NENNWERTE PNEUMATIKZYLINDER:

- Betriebsdruck 3,5-10 bar
- Temperatur -20°C bis +85°C



COMPACT - PNEUMATIC

NOMINAL VALUES COMPACT PNEUMATIC CYLINDER:

- OPERATING PRESSURE FROM 3,5 ÷ 10 BAR
- temperature from -20°C to +85°C

VALORI NOMINALI CILINDRO PNEUMATICO COMPATTO:

- pressione di utilizzo da 3,5 ÷ 10 bar
- temperatura da -20°C a +85°C

NENNWERTE KOMPAKTER PNEUMATIKZYLINDER:

- Betriebsdruck 3,5-10 bar
- Temperatur -20°C bis +85°C

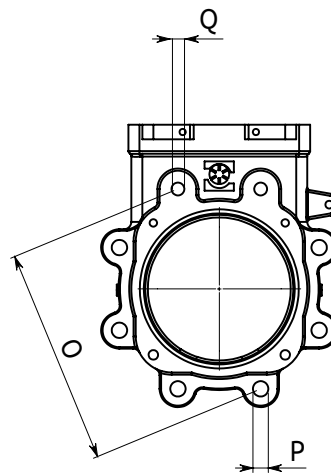
PNEUMATIC	DIN PN 10 UNI EN 1092-1	ANSI 150	H	Kg
LOCKER Ø 100	6080200245	6080200254	635	18
LOCKER Ø 150	6080200142	6080200232	800	21
LOCKER Ø 200	6080200143	6080200236	945	29
LOCKER Ø 250	6080200246	6080200255	1065	47
LOCKER Ø 300	6080200247	6080200256	1210	56
LOCKER BiDi Ø 100	6080200344	-	635	18
LOCKER BiDi Ø 150	6080200345	-	800	21
LOCKER BiDi Ø 200	6080200346	-	945	29
LOCKER BiDi Ø 250	6080200347	-	1065	47
LOCKER BiDi Ø 300	6080200348	-	1210	56

COMPACT PNEUMATIC	DIN PN 10 UNI EN 1092-1	ANSI 150	H	Kg
LOCKER Ø 100	6080200269	6080200274	560	17
LOCKER Ø 150	6080200270	6080200275	725	20
LOCKER Ø 200	6080200271	6080200276	875	28
LOCKER Ø 250	6080200272	6080200277	995	46
LOCKER Ø 300	6080200273	6080200278	1140	55

FLANGING

Flanges DIN PN 10 UNI EN 1092-1 Flangiatura DIN PN 10 UNI EN 1092-1

DIN PN 10 UNI EN 1092-1	O (mm)	P (mm)	Q	N° HOLES
LOCKER - LOCKER BiDi Ø 100	180	18	M16	8
LOCKER - LOCKER BiDi Ø 150	240	22	M20	8
LOCKER - LOCKER BiDi Ø 200	295	22	M20	8
LOCKER - LOCKER BiDi Ø 250	350	22	M20	12
LOCKER - LOCKER BiDi Ø 300	400	22	M20	12



Flanges ANSI 150 Flangiatura ANSI 150

ANSI 150	O (inch)	P (inch)	Q	N° HOLES
LOCKER Ø 100	7,5	0,75	UNC 5/8"	8
LOCKER Ø 150	9,5	0,87	UNC 3/4"	8
LOCKER Ø 200	11,75	0,87	UNC 3/4"	8
LOCKER Ø 250	14,25	1	UNC 7/8"	12
LOCKER Ø 300	17	1	UNC 7/8"	12

Battioni Pagani® si riserva il diritto di approntare modifiche ai dati e alle caratteristiche illustrate nel catalogo.
La riproduzione, anche parziale, del presente catalogo è vietata ai termini di legge.

*Battioni Pagani® reserve the right to modify without notice the data features shown in this catalogue.
The reproduction, even partial of this catalogue is forbidden by law.*



Battioni Pagani Pompe S.p.A.

Via Enzo Ferrari, 2
43058 Sorbolo (PR) - Italy

Ph. +39 0521 663203

Fax +39 0521 663206



www.bapag.it
info@bapag.it

